



PROJECT		REF		REV	ITEM CODE	
LOCATION		DATE			PAGE	

**SANITARY WARE SPECIFICATION SHEET**

Item Descriptions	American Standard (Thailand) "Acacia Evolution" CrystaSleek plastic slow closing seat and cover complied with BS 1254:1981; test report J25554	<p align="center">Illustration/ Drawing</p>
Dimensions	L532 x W427 x H77 mm	
Model	640000CS	
Material	Plastic	
Manufacturer	American Standard (Thailand)	
Source	Acme Sanitary Ware Co. Ltd Mr. Eric Wong/ Mr. Don Yuen	
Contact Tel/Fax	(852) 2388-7171 / (852) 2710-8012	
E-mail	acme@acmesanitary.com.hk	
Website	www.acmesanitary.com.hk	

Product Specification	
Product Type :	Seat & Cover
Bowl Shape :	Elongated
Material :	Plastic
Size :	W427x L532 x H77 mm.
N.W. / G.W. :	3.6 kgs. / 3.7 kgs.
Features and Benefits	
<ul style="list-style-type: none"> <li>• Made From High Quality Plastic</li> <li>• Compatible For Elongated Toilet Bowl</li> <li>• Comfort Seat And Cover</li> <li>• Crystasleek Seat &amp; Cover</li> <li>• SIAA ISO 22196 Standard Certified For Seat Cover</li> </ul>	
<p><b>CRYSTASLEEK</b></p> <p>Sleek, slim and durable seat and cover for a timeless style.</p>	

Note: Equivalent to 640000CS-WT / CL6151M-6D



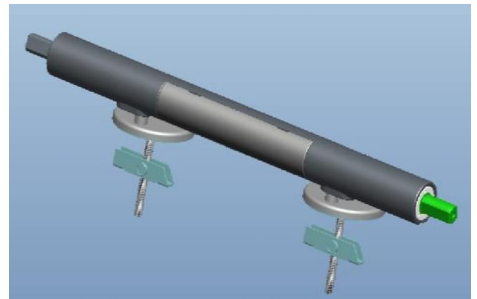
\* All information of the above is for the reference only. No prior notice is made if any changes.



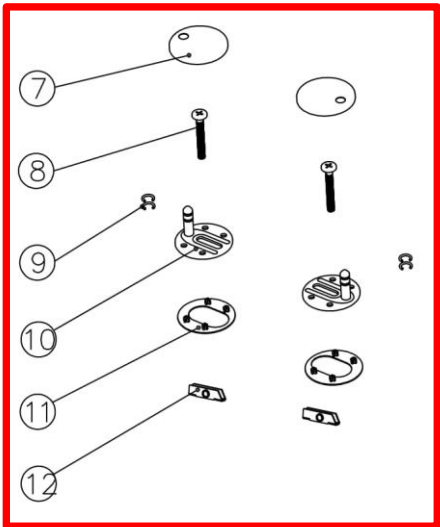
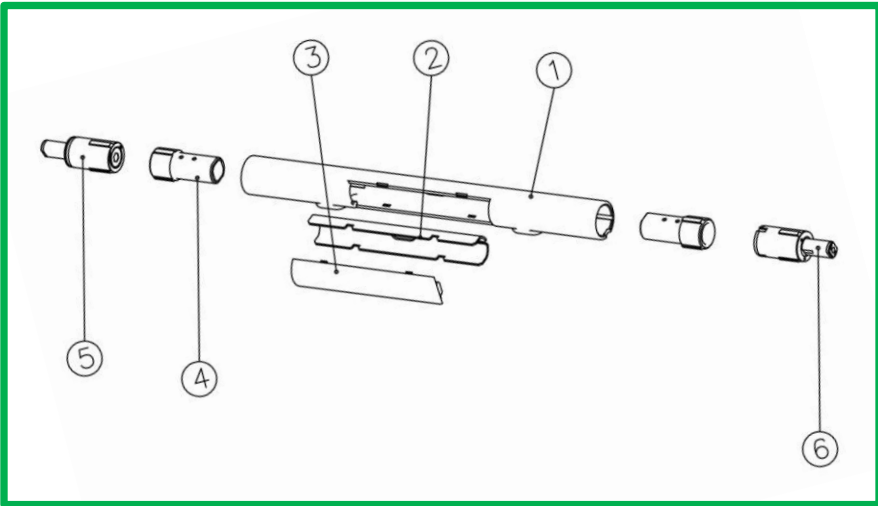
PROJECT		REF		REV	ITEM CODE	
LOCATION		DATE			PAGE	

**SANITARY WARE SPECIFICATION SHEET**

6	seat damper	1	SS651-R
5	Cover damper	1	SS651-L
4	Fixed block	2	1P481-00-00
3	LID	1	1P483-00-0W
2	supporting shoe	1	1M299-00-A0
1	Hinge seat	1	1P482-00-0W



**M12833** 64CS Hinge seat set



12	The lock piece	2	1M298-00-00
11	Anti-slip gasket	2	1R063-01-00
10	Stainless steel gasket	2	1M292-00-A0
9	C-ring	4	1M237-00-A0
8	SS stand	2	1M340-00-00
7	Stainless steel cap	2	1M231-01-A0

**M12834** 64CS Gasket set

Note:

\* All information of the above is for the reference only. No prior notice is made if any changes.



(640000CS=64000CS-WT)

## Test Report

TITLE : Testing of W.C. Seat and Cover  
REPORT NO. : J25554  
DESCRIPTION OF SAMPLE : Toilet Seat & Cover (CLASS 2)  
BODY MARKING : *American Standard*  
METHOD OF TEST : BS 1254: 1981  
PERIOD OF TESTS : 24 Aug., 2020 to 01 Dec., 2020  
APPLICANT INFORMATION: (Information supplied by the client)  
CLIENT AND ADDRESS :

SAMPLE INFORMATION : (Information supplied by the client)  
BRAND : AMERICAN STANDARD  
MODEL NUMBER : 640000CS-WT  
MANUFACTURER : AMERICAN STANDARD  
ORIGIN : Thailand

RESULTS: (apply only to the sample tested)

### SUMMARY OF RESULTS

Test	Remark
1 Dimensions	As shown in Section 1
2 Water absorption	C
3 Impact resistance	C
4.1 Rigidity – Cover	C
4.2 Rigidity – Seat	C
5 Staining by the seat and cover	C
6 Surface hardness	C

REPORT NO.: J 25554

1. DIMENSIONS

BS 1254: 1981 Cl. 8, Table 1 & Figure 1

Variable	Unit	Measured
Distance from centre line of hinge bolts to extreme edge of rim at front	mm	455.0 – 515.0
Length of opening at longest point		297.0
Width of opening at widest point		202.0
Width overall at widest point		386.0
Distance between inner and outer rims		73.0
Minimum adjustment of centre of hinge bolts		110.0 – 220.0
Distance from centre line of hinge bolts to inner rim of seat at the back		83.0 – 143.0

2. WATER ABSORPTION

BS 1254: 1981 Cl.10.4, Table 2, Cl. 11.3, Table 3 & Appendix B

Sample	Increase in mass (%)		Remark
	Measured	Required	
Seat	0.033	≤ 0.75	C
Cover	0.033	≤ 0.75	C
Overall result			C

3. IMPACT RESISTANCE

BS 1254: 1981 Cl.10.4, Table 2, Cl. 11.3, Table 3, Appendix C & D

Sample	Measured	Required	Remark
Seat	No visible damage	No visible damage to seat, cover, buffer and hinge after impact	C
Cover	No visible damage		C
Overall result			C

4.1 RIGIDITY - COVER

BS 1254: 1981 Cl.10.4, Table 2, Appendix F & G

Variable	Unit	Measured	Required	Remark
Deflection	mm	7.5	≤ 25	C
Fracture	/	No	No	C
Distortion	mm	1.1	≤ 3	C
Overall result				C



REPORT NO.: J 25554

#### 4.2 RIGIDITY - Seat

BS 1254: 1981 Cl. 11.3, Table 3, Appendix E & G

Variable	Unit	Measured	Required	Remark
Deflection	mm	1.5	$\leq 12.5$	C
Fracture	/	No	No	C
Distortion	mm	1.0	$\leq 3$	C
Overall result				C

#### 5. STAINING BY THE SEAT AND COVER

BS 1254: 1981 Cl.10.4, Table 2, Cl. 11.3, Table 3, Appendix H

Variable	Measured	Required	Remark
Colour transferred to the cloth	No	No	C
Overall result			C

#### 6. SURFACE HARDNESS

BS 1254: 1981 Cl.10.4, Table 2, Cl. 11.3, Table 3, Appendix L

Sample	Surface hardness (Rockwell hardness number HR)		Remark
	Measured	Required	
Seat	60	$\geq L45$	C
Cover	60	$\geq L45$	C
Overall result			C

Date: 17 Dec., 2020 Authorized signature: \_\_\_\_\_

Nutek Systems is a testing agency,  
accepted by the Water Supplies  
Department, for testing water supply  
fittings.

Lam Kwai Wah, Terry  
(Operations Manager)

REPORT NO.: J 25554

Figure 1 – Sample



Figure 2 – Body marking





REPORT NO.: J 25554

## General Note(s)

### Definitions:

- C - conformance
- N - none
- NC - non-conformance
- R - remainder

### Organizations:

- HKAS - Hong Kong Accreditation Service
- HOKLAS - Hong Kong Laboratory Accreditation Scheme
- WSD - Water Supplies Department (of Hong Kong)
- WHO - World Health Organization

**- End of report -**